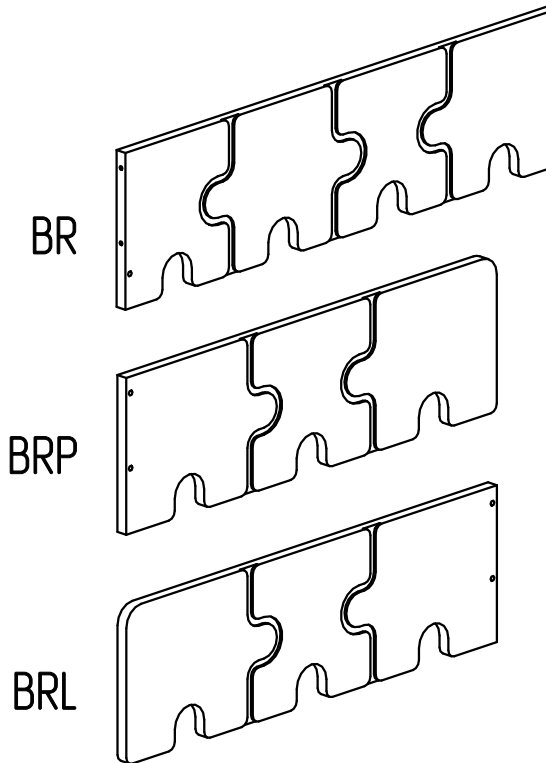
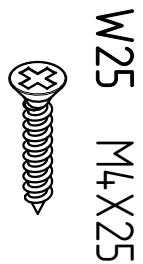
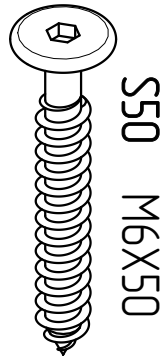
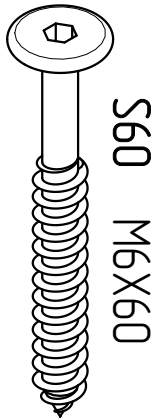
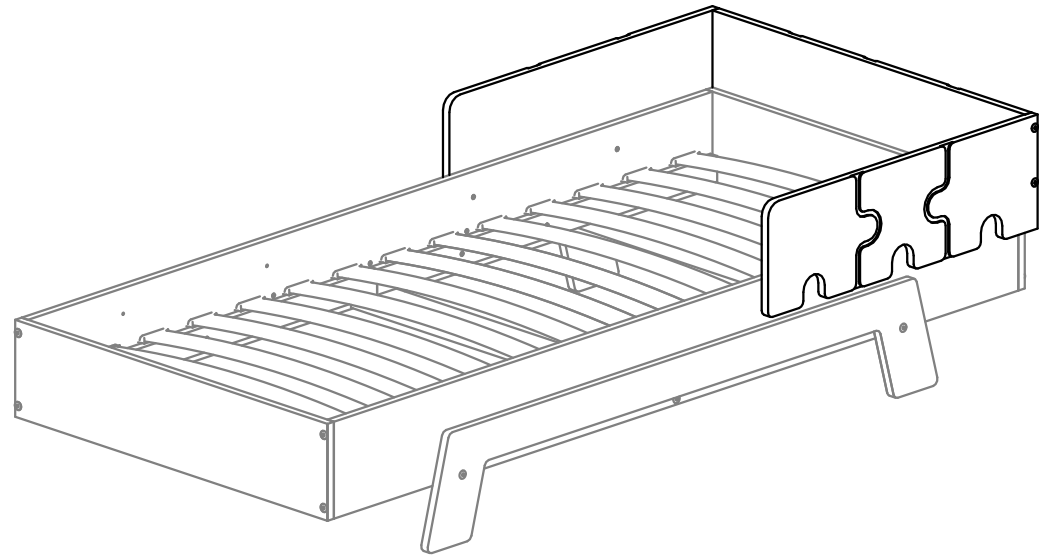


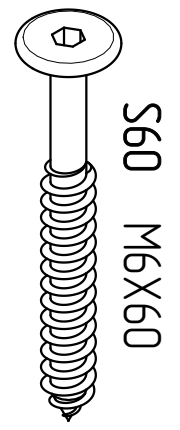
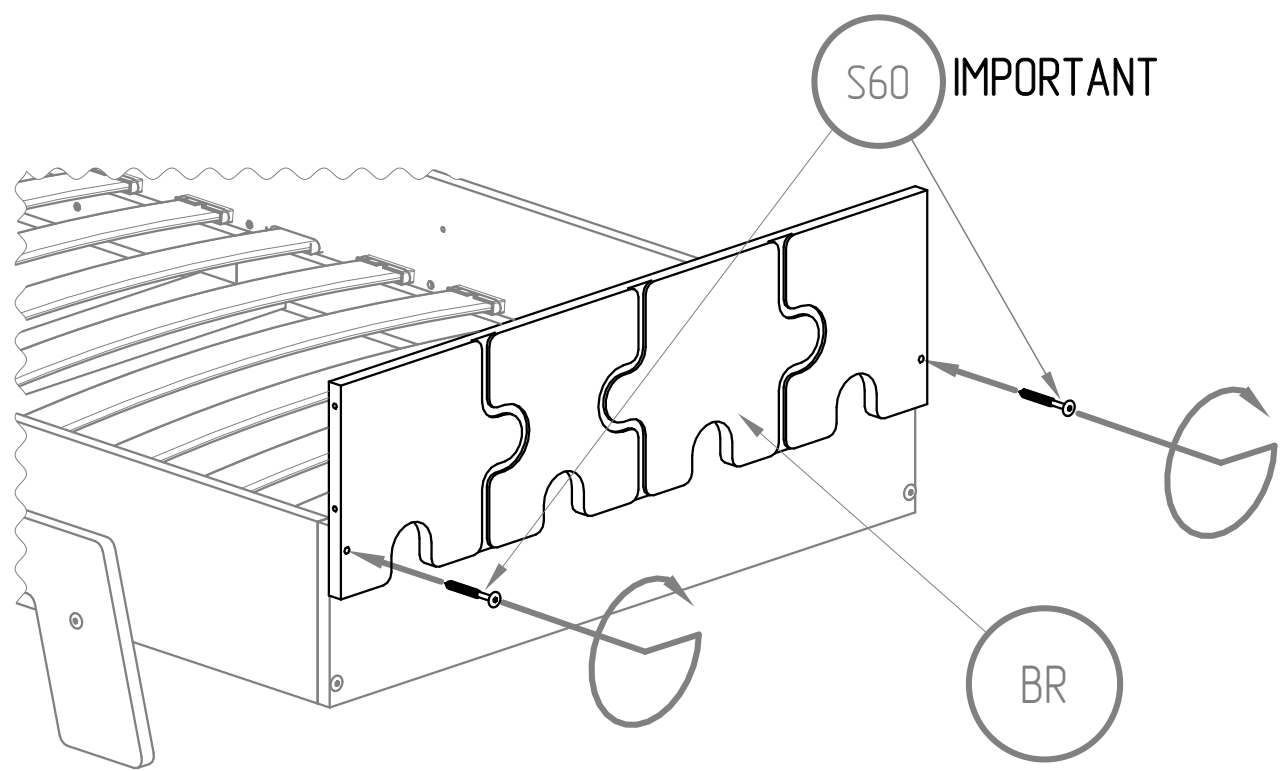
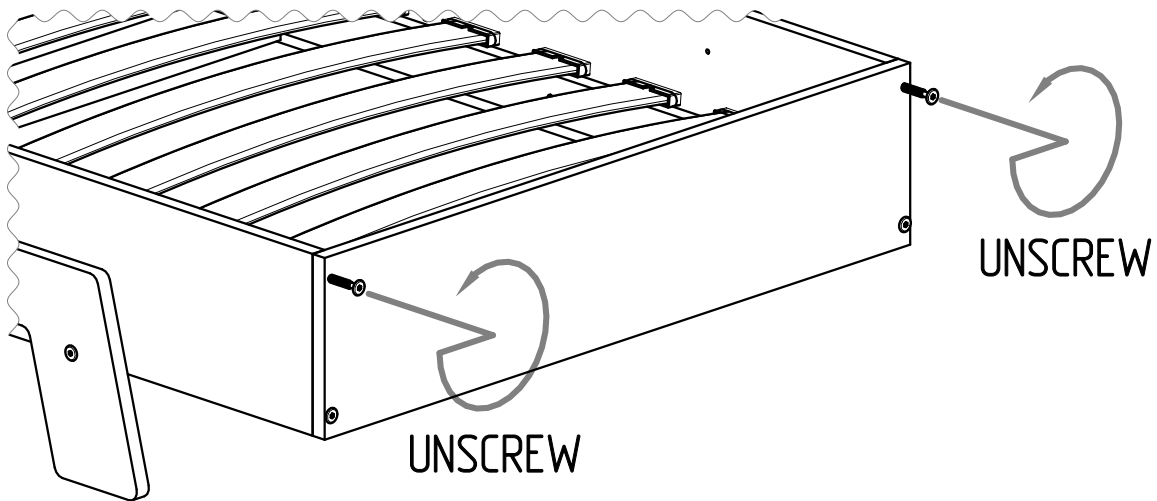
BARRIER

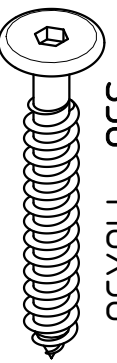
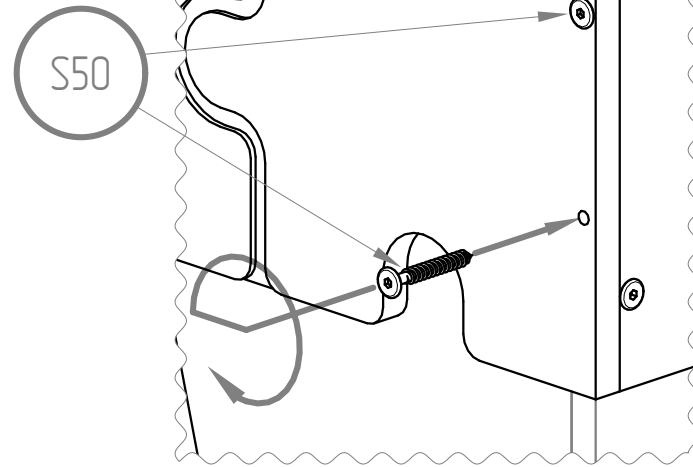
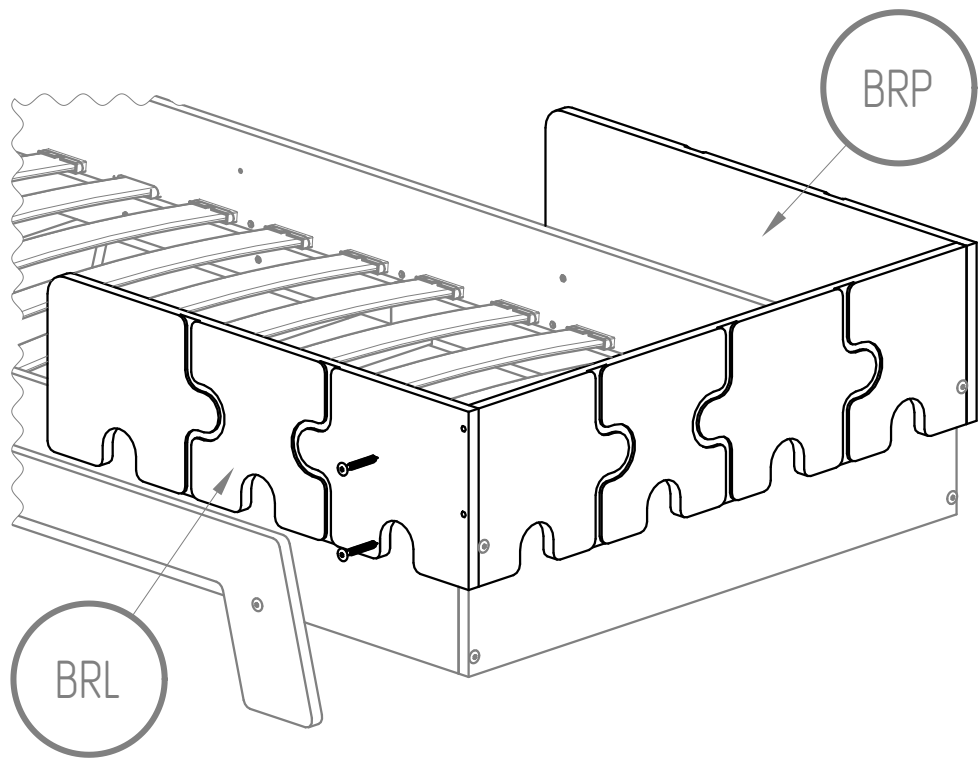
SCREWS	
S60	x2
S50	x4
W25	x4



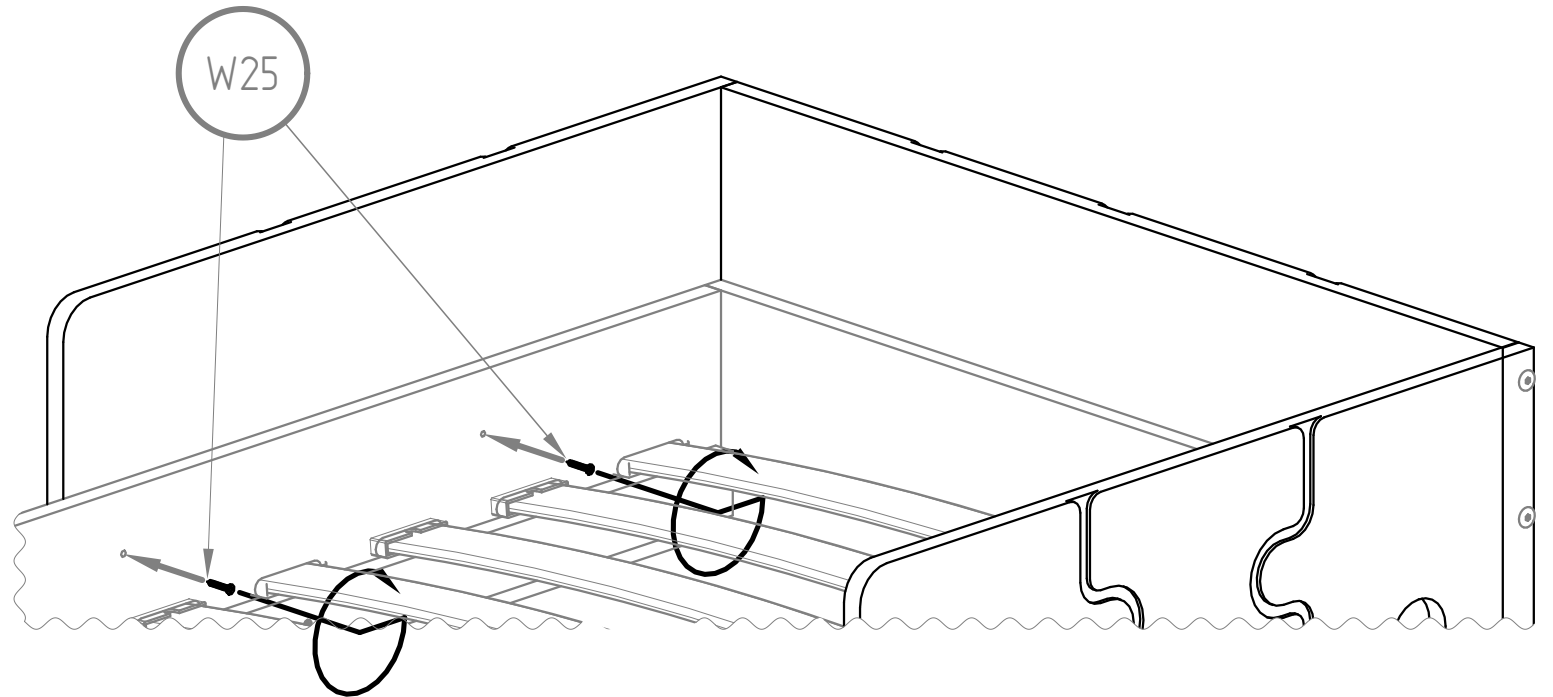
BARRIER

BR	x1
BRP	x1
BRL	x1





S50 M6X50



TO ASSEMBLY SECOND BARRIER FOLLOW PAGE 8 AND 9

